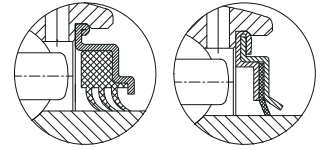
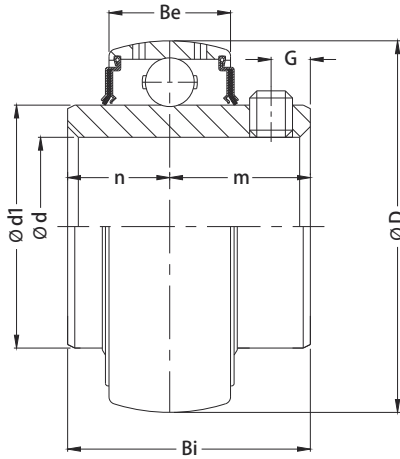


外球面轴承

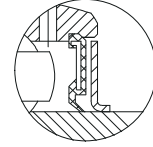
insert bearing





R3 SEAL

F SEAL



TWO TOUCH SEAL

UC300

轴径 (d)

(min.) | (mm)

轴承型号

外形尺寸 (mm)

D | d1 | Bi | n | m | Be | G

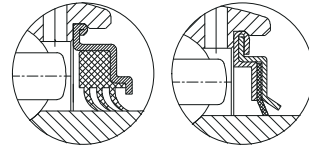
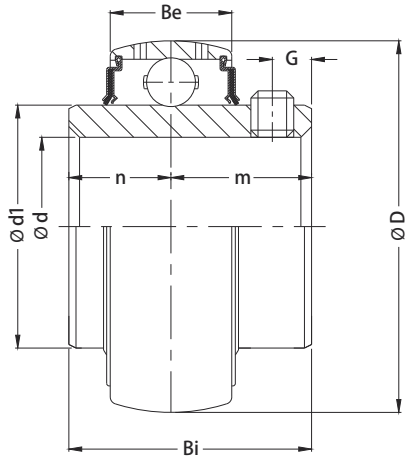
止动螺钉规格
(mm)
(UN)

载荷 (Kgf)

Cr | Cor

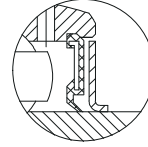
重量

轴径 (d)	轴承型号	D	d1	Bi	n	m	Be	G	止动螺钉规格	Cr	Cor	重量
7/8 15/16 1	UC 305-14 UC 305-15 UC 305 UC 305-16	62,0	35,5	38,0	15,0	23,0	21,0	6,0	M6x1 1/4-28	2880	1170	0,35
1-1/8 1-3/16	UC 306-18 UC 306 UC 306-19	72,0	44,5	43,0	17,0	26,0	24,0	6,0	M6x1 1/4-28	2760	1550	0,55
1-1/4 1-5/16 1-3/8 1-7/16	UC 307-20 UC 307-21 UC 307-22 UC 307 UC 307-23	80,0	49,0	48,0	19,0	29,0	25,0	8,0	M8x1 5/16-24	3420	1960	0,80
1-1/2 1-9/16	UC 308-24 UC 308-25 UC 308	90,0	56,5	52,0	19,0	33,0	28,0	10,0	M10x1,25 3/8-24	4140	2450	1,00
1-5/8 1-11/16 1-3/4	UC 309-26 UC 309-27 UC 309-28 UC 309	100,0	62,0	57,0	22,0	35,0	30,0	10,0	M10x1,25 3/8-24	5410	3250	1,30
1-7/8 1-15/16 2	UC 310-30 UC 310-31 UC 310 UC 310-32	110,0	69,0	61,0	22,0	39,0	32,0	12,0	M12x1,25 7/16-20	6300	3860	1,70
2 2-1/8 2-3/16	UC 311-32 UC 311-34 UC 311 UC 311-35	120,0	75,0	66,0	25,0	41,0	34,0	12,0	M12x1,25 7/16-20	7300	4570	1,95
2-1/4 2-3/8 2-7/16	UC 312-36 UC 312 UC 312-38 UC 312-39	130,0	81,0	71,0	26,0	45,0	36,0	12,0	M12x1,25 7/16-20	8330	5290	2,60



R3 SEAL

F SEAL



TWO TOUCH SEAL

UC300

轴径 (d)

(min.) | (mm)

轴承型号

外形尺寸 (mm)

D | d1 | Bi | n | m | Be | G

止动螺钉规格

载荷 (Kgf)

(mm)
(UN)

Cr | Cor

重量

轴径 (d)	轴承型号	D	d1	Bi	n	m	Be	G	止动螺钉规格	Cr	Cor	重量
2-1/2 65	UC 313-40 UC 313	140,0	87,5	75,0	30,0	45,0	38,0	12,0	M12x1,25 7/16-20	9580	6170	3,25
2-3/4 70	UC 314 -44 UC 314	150,0	94,0	78,0	31,0	47,0	40,0	12,0	M12x1,25	10640	6940	3,95
2-15/16 3 75	UC 315-47 UC 315 UC 315-48	160,0	100,5	82,0	32,0	50,0	42,0	14,0	M14x1,5 9/16-18	11570	7840	4,55
80	UC 316	170,0	108,0	86,0	34,0	52,0	44,0	14,0	M14x1,5	12540	8830	5,55
3-1/4 85	UC 317-52 UC 317	180,0	114,0	96,0	40,0	56,0	46,0	16,0	M16x1,5	13530	9850	6,95
3-7/16 3-1/2 90	UC 318-55 UC 318-56 UC 318	190,0	120,0	96,0	40,0	56,0	48,0	16,0	M16x1,5	14590	11020	7,95
3-3/4 95 100	UC 319 UC 319-60 UC 319-100	200,0	126,5	103,0	41,0	62,0	50,0	18,0	M16x1,5	15920	12450	8,90
3-15/16 4 100	UC 320 UC 320-63 UC 320-64	215,0	134,5	108,0	42,0	66,0	54,0	18,0	M18x1,5 3/4-16	17510	14290	11,10
110	UC 322	240,0	151,7	117,0	46,0	71,0	59,0	18,0	M18x1,5	20900	18200	14,30
4-15/16 120	UC 324 UC 324 -79	260,0	165,2	126,0	51,0	75,0	63,0	18,0	M18x1,5 3/4-16	21100	18800	18,50
130	UC 326	240,0	178,3	135,0	54,0	81,0	67,0	20,0	M20x1,5	23300	21800	23,00
140	UC 328	300,0	190,4	145,0	59,0	86,0	72,0	20,0	M20x1,5	23300	21800	28,50