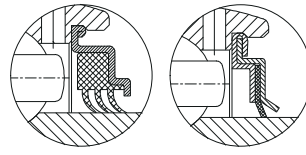
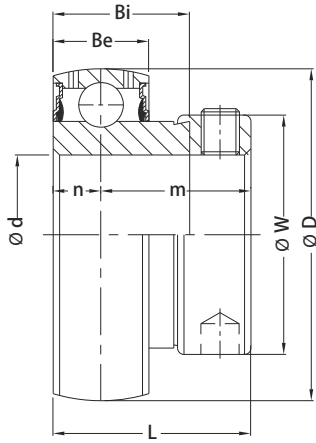


外球面轴承

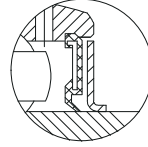
insert bearing





R3 SEAL

F SEAL



TWO TOUCH SEAL

GRA200

轴径 (d)

(min.) | (mm)

轴承型号

外形尺寸 (mm)

D | L | Bi | Be | n | m | W

止动螺钉规格
(mm)
(UN)

载荷 (Kgf)

Cr | Cor

重量

| 轴径 (d) | 轴承型号 | D | L | Bi | Be | n | m | W | 止动螺钉规格 | Cr | Cor | 重量 |
|---------|----------------------------------|-------|------|------|------|------|------|------|--------------------|------|------|------|
| 1/2 | GRA 201 | 40,0 | 28,6 | 19,0 | 12,0 | 6,5 | 22,1 | 28,0 | M6x1,0 1/4-28 | 970 | 490 | 0,15 |
| 5/8 | GRA 201-8 | | | | | | | | | | | |
| 17 | GRA 202 GRA 202-10 GRA 203 | | | | | | | | | | | |
| 3/4 | GRA 204-12 GRA 204 | 47,0 | 31,0 | 21,4 | 14,0 | 7,5 | 23,5 | 33,0 | M6x1,0 1/4-28 | 1310 | 680 | 0,15 |
| 7/8 | GRA 205-14 GRA 205 | 52,0 | 31,0 | 21,4 | 15,0 | 7,5 | 23,5 | 37,4 | M6x1,0 1/4-28 | 1430 | 800 | 0,20 |
| 1 | GRA 205-16 | | | | | | | | | | | |
| 1-1/8 | GRA 206-18 GRA 206 | 62,0 | 35,7 | 23,8 | 18,0 | 9,0 | 26,7 | 44,1 | M6x1,0 1/4-28 | 2000 | 1140 | 0,30 |
| 1-3/16 | GRA 206-19 | | | | | | | | | | | |
| 1-1/4 | GRA 206-20 | | | | | | | | | | | |
| 1-1/4 | GRA 207-20 GRA 207-22 | 72,0 | 38,9 | 25,4 | 19,0 | 9,5 | 29,4 | 51,1 | M8x1,0 5/16-24 | 2640 | 1550 | 0,55 |
| 1-3/8 | GRA 207 | | | | | | | | | | | |
| 1-7/16 | GRA 207-23 | | | | | | | | | | | |
| 1-1/2 | GRA 208-24 GRA 208 | 80,0 | 43,7 | 30,2 | 21,0 | 11,0 | 32,7 | 58,0 | M8x1,0 5/16-24 | 2990 | 1860 | 0,60 |
| 1-5/8 | GRA 209-26 GRA 209-27 | 85,0 | 43,7 | 30,2 | 22,0 | 11,5 | 32,7 | 63,5 | M8x1,0 5/16-24 | 3350 | 2120 | 0,60 |
| 1-11/16 | GRA 209-28 | | | | | | | | | | | |
| 1-3/4 | GRA 209 | | | | | | | | | | | |
| 1-7/8 | GRA 210-30 GRA 210-31 | 90,0 | 43,7 | 30,2 | 22,0 | 11,0 | 32,7 | 69,0 | M8x1,0 5/16-24 | 3600 | 2370 | 0,60 |
| 1-15/16 | GRA 210 | | | | | | | | | | | |
| 2 | GRA 210-32 | | | | | | | | | | | |
| 2 | GRA 211-32 GRA 211-35 | 100,0 | 48,3 | 32,6 | 24,0 | 11,9 | 36,4 | 76,0 | M10x1,25 3/8-24 | 4400 | 2980 | 0,65 |
| 2-3/16 | GRA 211 | | | | | | | | | | | |
| 2-7/16 | GRA 212 GRA 212-39 | 110,0 | 53,1 | 37,1 | 24,0 | 11,9 | 41,2 | 84,0 | M10x1,25 | 5350 | 3350 | 0,65 |