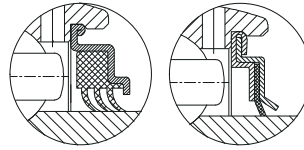
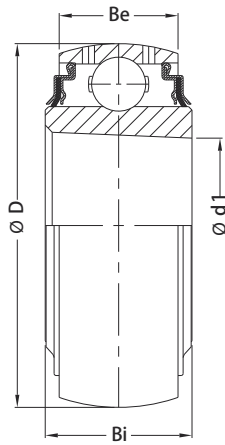
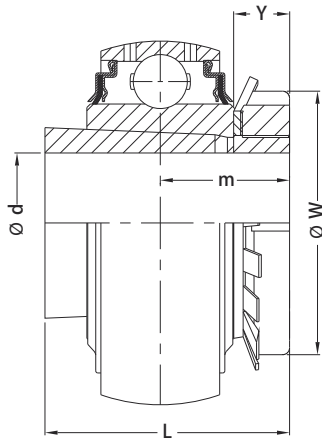


外球面轴承

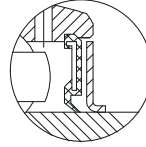
insert bearing





R3 SEAL

F SEAL



TWO TOUCH SEAL

UKX00

轴径 (d)

(min.) | (mm)

轴承型号

紧定套
型号

外形尺寸 (mm)

载荷 (Kgf)

重量

D | Bi | Be | L | m | W | d1 | Y

Cr | Cor

轴径 (d)	轴径 (mm)	轴承型号	紧定套型号	D	Bi	Be	L	m	W	d1	Y	Cr	Cor	重量
3/4	20	UKX 05	HE2305 H2305	62,0	26,0	19,0	35,0	18,5	38,0	25,0	8,0	1430	800	0,25
7/8	25	UKX 06	HS2306	72,0	29,0	20,0	38,0	20,5	45,0	30,0	8,0	2000	1140	0,40
1			H2306 HE2306											
1-1/8	30	UKX 07	HS2307	80,0	31,0	21,0	43,0	22,5	52,0	35,0	9,0	2640	1550	0,55
1-3/16			H2307 HA230											
1-1/4	35	UKX 08	HE2308	85,0	31,0	22,0	46,0	24,5	58,0	40,0	10,0	2990	1860	0,70
1-5/16			HA2308											
1-3/8			HS2308 H2308											
1-7/16	40	UKX 09	HA2309	90,0	32,0	24,0	50,0	26,0	65,0	45,0	11,0	3350	2120	0,75
1-1/2			HE2309											
1-5/8			H2309 HS2309											
1-11/16	45	UKX 10	HA2310	100,0	35,0	25,0	55,0	27,5	70,0	50,0	12,0	3600	2370	0,90
1-3/4			HE2310 H2310											
1-7/8	50	UKX 11	HS2311	110,0	38,0	27,0	59,0	28,5	75,0	55,0	12,0	4400	2980	1,15
1-15/16			HA2311											
2	2		H2311 HE2311											
2-1/8	55	UKX 12	HS2312 H2312	120,0	40,0	28,0	62,0	31,0	80,0	60,0	13,0	5350	3350	1,45
2-3/16	60	UKX 13	HA2313	130,0	40,0	29,0	65,0	32,0	85,0	65,0	14,0	5850	4080	1,80
2-1/4			HE2313											
2-3/8			H2313 HS2313											
2-1/2	65	UKX 15	HE2315 H2315	140,0	45,0	32,0	73,0	35,5	98,0	75,0	15,0	6750	5050	2,60
2-3/4	70	UKX 16	HE2316 H2316	150,0	46,0	34,0	78,0	39,0	105,0	80,0	17,0	7400	5530	3,30
3	75	UKX 17	H2317 HE2317	160,0	47,0	36,0	82,0	40,0	110,0	85,0	18,0	8500	6510	3,90
	80	UKX 18	HE2318	170,0	50,0	39,0	86,0	42,0	120,0	90,0	18,0	9750	7300	4,70