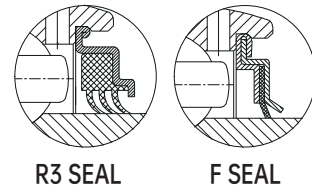
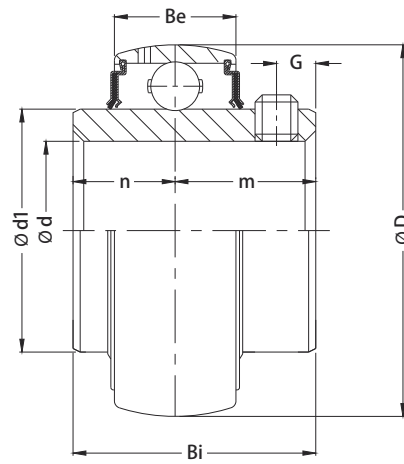


外球面轴承

insert bearing





UC300 M-F

轴径 (d)

(min.) | (mm)

轴承型号

外形尺寸 (mm)

D

d1

Bi

n

m

Be

G

止动螺钉规格
(mm)
(UNF)

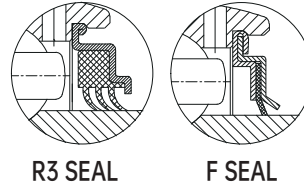
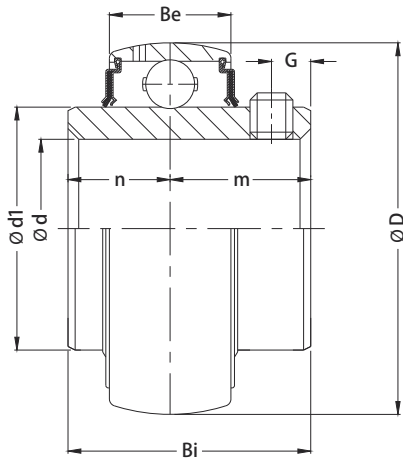
载荷 (Kgf)

Cr

Cor

重量

轴径 (d)	轴承型号	D	d1	Bi	n	m	Be	G	止动螺钉规格 (mm) (UNF)	Cr	Cor	重量
7/8 15/16 1	UC 305-14 M-F UC 305-15 M-F UC 305 M-F UC 305-16 M-F	62,0	35,5	38,0	15,0	23,0	21,0	6,0	M6x1 1/4-28	2880	1170	0,35
1-1/8 1-3/16	UC 306-18 M-F UC 306 M-F UC 306-19 M-F	72,0	44,5	43,0	17,0	26,0	24,0	6,0	M6x1 1/4-28	2760	1550	0,55
1-1/4 1-5/16 1-3/8 1-7/16	UC 307-20 M-F UC 307-21 M-F UC 307-22 M-F UC 307 M-F UC 307-23 M-F	80,0	49,0	48,0	19,0	29,0	25,0	8,0	M8x1 5/16-24	3420	1960	0,80
1-1/2 1-9/16	UC 308-24 M-F UC 308-25 M-F UC 308 M-F	90,0	56,5	52,0	19,0	33,0	28,0	10,0	M10x1,25 3/8-24	4140	2450	1,00
1-5/8 1-11/16 1-3/4	UC 309-26 M-F UC 309-27 M-F UC 309-28 M-F UC 309 M-F	100,0	62,0	57,0	22,0	35,0	30,0	10,0	M10x1,25 3/8-24	5410	3250	1,30
1-7/8 1-15/16 2	UC 310-30 M-F UC 310-31 M-F UC 310 M-F UC 310-32 M-F	110,0	69,0	61,0	22,0	39,0	32,0	12,0	M12x1,25 7/16-20	6300	3860	1,70
2 2-1/8 2-3/16	UC 311-32 M-F UC 311-34 M-F UC 311 M-F UC 311-35 M-F	120,0	75,0	66,0	25,0	41,0	34,0	12,0	M12x1,25 7/16-20	7300	4570	1,95
2-1/4 2-3/8 2-7/16	UC 312-36 M-F UC 312 M-F UC 312-38 M-F UC 312-39 M-F	130,0	81,0	71,0	26,0	45,0	36,0	12,0	M12x1,25 7/16-20	8330	5290	2,60



UC300 M-F

轴径 (d)

(min.) | (mm)

轴承型号

外形尺寸 (mm)

D | d1 | Bi | n | m | Be | G

止动螺钉规格
(mm)
(UNF)

载荷 (Kgf)

Cr | Cor

重量

轴径 (d)	轴承型号	D	d1	Bi	n	m	Be	G	止动螺钉规格 (mm) (UNF)	Cr	Cor	重量
2-1/2 65	UC 313-40 M-F UC 313 M-F	140,0	87,5	75,0	30,0	45,0	38,0	12,0	M12x1,25 7/16-20	9580	6170	3,25
2-3/4 70	UC 314 -44 M-F UC 314 M-F	150,0	94,0	78,0	31,0	47,0	40,0	12,0	M12x1,25	10640	6940	3,95
2-15/16 3 75	UC 315-47 M-F UC 315 M-F UC 315-48 M-F	160,0	100,5	82,0	32,0	50,0	42,0	14,0	M14x1,5 9/16-18	11570	7840	4,55
80	UC 316 M-F	170,0	108,0	86,0	34,0	52,0	44,0	14,0	M14x1,5	12540	8830	5,55
3-1/4 85	UC 317-52 M-F UC 317 M-F	180,0	114,0	96,0	40,0	56,0	46,0	16,0	M16x1,5	13530	9850	6,95
3-7/16 3-1/2 90	UC 318-55 M-F UC 318-56 M-F UC 318 M-F	190,0	120,0	96,0	40,0	56,0	48,0	16,0	M16x1,5	14590	11020	7,95
3-3/4 95 100	UC 319 M-F UC 319-60 M-F UC 319-100 M-F	200,0	126,5	103,0	41,0	62,0	50,0	18,0	M16x1,5	15920	12450	8,90
3-15/16 4 100	UC 320 M-F UC 320-63 M-F UC 320-64 M-F	215,0	134,5	108,0	42,0	66,0	54,0	18,0	M18x1,5 3/4-16	17510	14290	11,10
110	UC 322 M-F	240,0	151,7	117,0	46,0	71,0	59,0	18,0	M18x1,5	20900	18200	14,30
4-15/16 120	UC 324 M-F UC 324 -79 M-F	260,0	165,2	126,0	51,0	75,0	63,0	18,0	M18x1,5 3/4-16	21100	18800	18,50
130	UC 326 M-F	240,0	178,3	135,0	54,0	81,0	67,0	20,0	M20x1,5	23300	21800	23,00
140	UC 328 M-F	300,0	190,4	145,0	59,0	86,0	72,0	20,0	M20x1,5	23300	21800	28,50